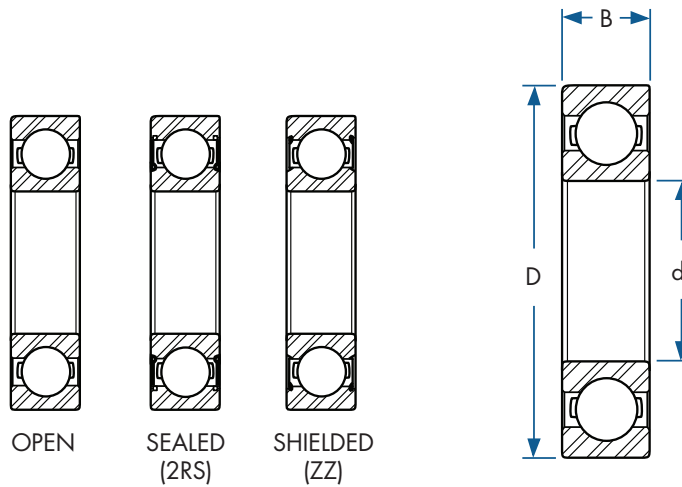


# 600 Series



Bearing Size	Dimensions (mm)				Load Rating (lbs)		Limiting Speed (RPM)		
	d	D	B		Dynamic	Static	Grease		Oil
			Open	Sealed/ Shielded	Cr	Cor	2RS	ZZ/OPEN	OPEN
603	3	9	3	3	128	42	42,000	56,000	67,000
604	4	12	4	4	215	80	36,000	48,000	56,000
605	5	14	5	5	230	110	30,000	40,000	50,000
606	6	17	6	6	510	190	24,000	32,000	40,000
607	7	19	6	6	525	200	26,000	36,000	43,000
608	8	22	7	7	740	310	20,000	28,000	34,000
608 5/16	7.94	22	7	7	740	310	22,000	30,000	36,000
609	9	24	7	7	750	325	24,000	32,000	40,000
623	3	10	4	4	140	50	37,000	50,000	60,000
624	4	13	5	5	290	110	24,000	32,000	40,000
625	5	16	5	5	390	140	26,000	36,000	43,000
626	6	19	6	6	525	200	29,000	40,000	48,000
626 1/4	6.35	19	6	6	525	200	23,000	32,000	38,000
627	7	22	7	7	740	310	24,000	34,000	40,000
627 1/4	6.35	22	7	7	740	310	24,000	34,000	40,000
628	8	24	8	8	750	320	20,000	28,000	34,000
629	9	26	8	8	1030	440	24,000	34,000	40,000
634	4	16	5	5	300	120	26,000	36,000	43,000
635	5	19	6	6	525	200	27,000	38,000	45,000
636	6	22	7	7	750	320	22,000	30,000	36,000
637	7	26	9	9	1020	440	20,000	28,000	34,000
638	8	28	9	9	1020	440	20,000	28,000	34,000
682	2	5	1.5	2.3	38	10	63,000	85,000	100,000
683	3	7	2	3	70	25	46,000	63,000	75,000
684	4	9	2.5	4	140	50	39,000	53,000	63,000
685	5	11	3	5	160	60	33,000	45,000	53,000
686	6	13	3.5	5	240	100	29,000	40,000	50,000
687	7	14	3.5	5	260	115	29,000	40,000	50,000
688	8	16	4	5	280	130	26,000	36,000	43,000
689	9	17	4	5	300	150	26,000	36,000	43,000
693	3	8	3	4	125	40	44,000	60,000	67,000
694	4	11	4	4	215	80	36,000	48,000	56,000
695	5	13	4	4	240	100	32,000	43,000	50,000
696	6	15	5	5	300	120	29,000	40,000	45,000
698	8	19	6	6	500	200	26,000	36,000	43,000
699	9	20	6	6	555	240	24,000	34,000	40,000